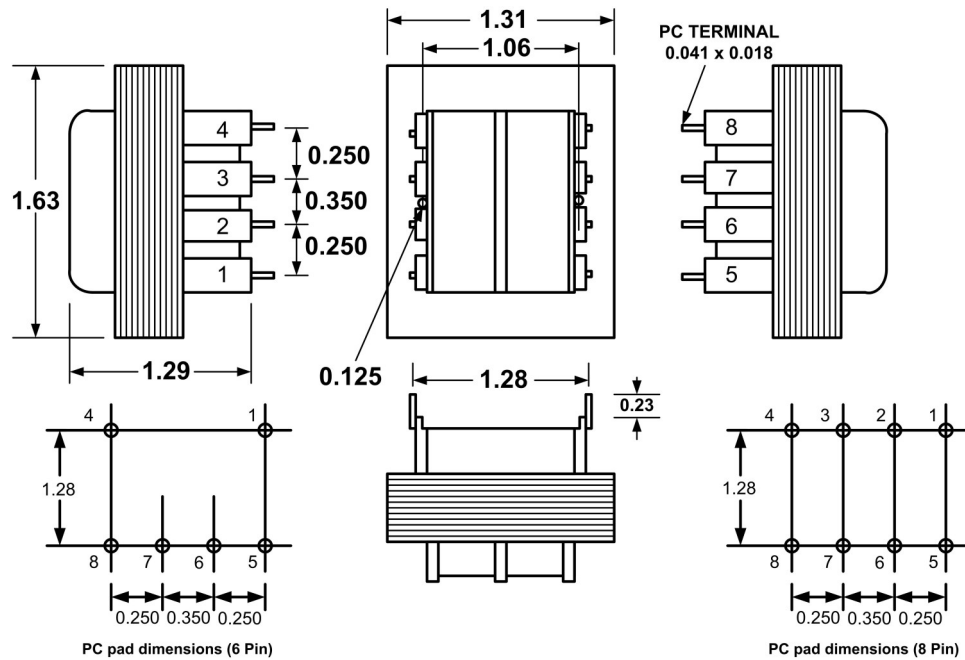


# SZ & DSZ - PRINTED CIRCUIT MOUNT, HORIZONTAL, STANDARD PROFILE POWER TRANSFORMER



## 1. Electrical Specifications

- A. Maximum Power: 6VA
- B. Input Voltage and Frequency: 115/230V, 115V @ 50/60Hz
- C. Voltage Regulation: 18% TYP @ Full Load to No Load
- D. Temperature Rise: 35°C TYP
- E. Insulation Resistance: > 1 MEG ohm
- F. Hi-Pot: 2500 Vrms 1 minute @ Pri to Sec

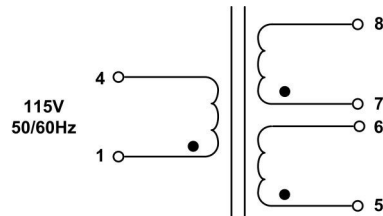
## 2. Agency Approval:

UL/cUL 5085-2 Recognized (File E47299)  
Insulation File No. E95662

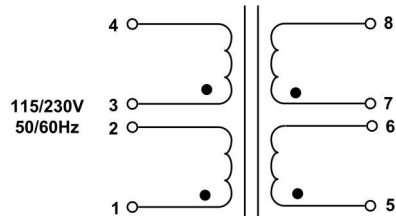


Part No.		Series Connection	Parallel Connection
115V	115/230V		
SZ4-10	DSZ4-10	10VCT @ 0.6A	5V @ 1.2A
SZ4-12	DSZ4-12	12.6VCT @ 0.5A	6.3V @ 1.00A
SZ4-16	DSZ4-16	16VCT @ 0.40A	8V @ 0.80A
SZ4-20	DSZ4-20	20VCT @ 0.30A	10V @ 0.60A
SZ4-24	DSZ4-24	24VCT @ 0.25A	12V @ 0.50A
SZ4-28	DSZ4-28	28VCT @ 0.20A	14V @ 0.40A
SZ4-36	DSZ4-36	36VCT @ 0.17A	18V @ 0.34A
SZ4-48	DSZ4-48	48VCT @ 0.125A	24V @ 0.25A
SZ4-56	DSZ4-56	56VCT @ 0.11A	28V @ 0.22A
SZ4-120	DSZ4-120	120VCT @ 0.05A	60V @ 0.10A
WEIGHT : 0.44 Lbs.			

### Single Primary (6 Pin)



### Dual Primary (8 PIN)



• Indicates Like Polarity

	<b>POWER TRANSFORMER</b>	<b>SZ4-XXX DSZ4-XXX</b>	
CONTENTS OF THIS DRAWING ARE SUBJECT TO CHANGE WITHOUT PRIOR NOTICE	<b>Powervolt Inc.</b> 300 W Factory Road, Addison, IL - 60133	Dim: Inches	Sheet 1 of 1
PROPRIETARY NOTICE: THIS DRAWING PRINT OR DOCUMENT AND SUBJECT MATTER DISCLOSED HEREIN ARE PROPRIETARY ITEMS TO WHICH WABASH TRANSFORMER RETAINS THE EXCLUSIVE RIGHT OF DISSEMINATION, MANUFACTURE AND SALE. THIS DRAWING, PRINT OR DOCUMENT IS SUBMITTED IN CONFIDENCE FOR CONSIDERATION BY THE RECIPIENT ALONE UNLESS PERMISSION FOR FURTHER DISCLOSURE IS EXPRESSLY GRANTED IN WRITING			